



Casing Ring Bit System

Simultaneous Drilling & Casing into Bedrock

- Drills 16" to 48" (406 - 1219 mm) diameter holes
- Perfectly suited for overburden and solid rock formations
- Options for drill through and non-drill through applications
- Reduces cost with same pilot bit used with multiple ring sizes
- Provides simple lock design to better engage and disengage from ring
- Eliminates carbide issues locking into pilot
- Efficient hole cleaning through large flushing slots
- For use with reverse circulation or conventional DTH hammers

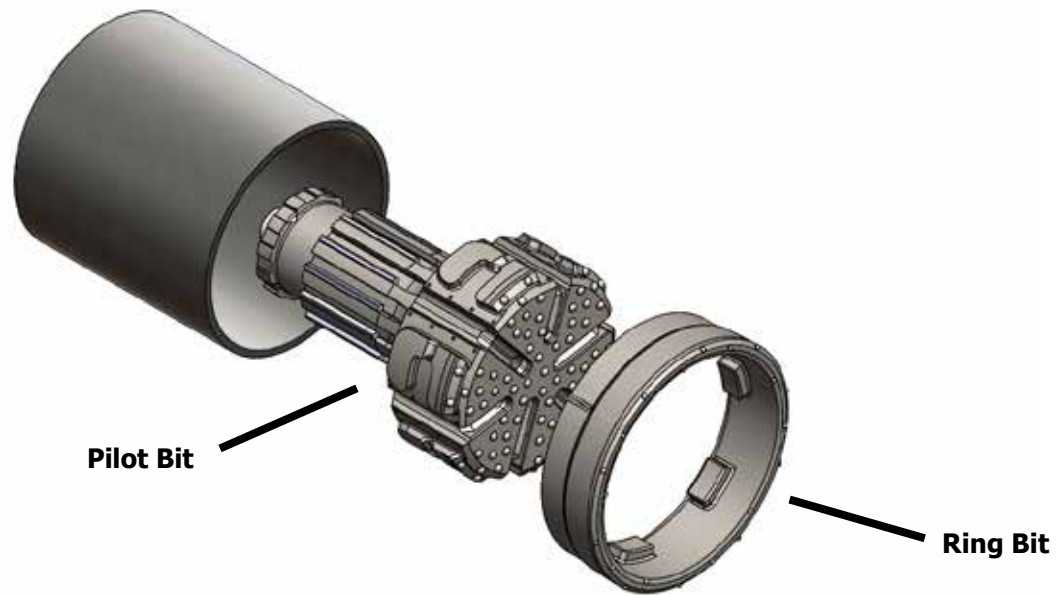


NUMA
HAMMERS AND BITS[®]

The World's **Leading**
Drilling Technology



Casing Ring Bit System



System Specifications

System	Shank	Casing Size OD	Casing Wall Thickness	Pilot Bit OD	Ring Bit OD*
ORB406	P125 QL120	16" 406 mm	1/2" to 1" 12.7 to 25.4 mm	14.306" 363.4 mm	17.810" 452.4 mm
ORB457	P125 QL120	18" 457 mm	1/2" to 1" 12.7 to 25.4 mm	16.306" 414.2 mm	19.810" 503.2 mm
ORB508	P125 QL120 / RC160	20" 508 mm	1/2" to 1" 12.7 to 25.4 mm	18.306" 465.0 mm	21.810" 554.0 mm
ORB559	P125 QL120 / RC160	22" 559 mm	1/2" to 1" 12.7 to 25.4 mm	20.306" 515.8 mm	23.810" 604.8 mm
ORB610	P180 / P185 QL200 / RC210	24" 610 mm	1/2" to 1" 12.7 to 25.4 mm	22.306" 566.6 mm	25.810" 655.6 mm
ORB660	P180 / P185 QL200 / RC210	26" 660 mm	1/2" to 1" 12.7 to 25.4 mm	24.306" 617.4 mm	27.810" 706.4 mm
ORB711	P180 / P185 QL200 / RC210	28" 711 mm	1/2" to 1" 12.7 to 25.4 mm	25.850" 656.6 mm	29.810" 757.2 mm
ORB762	P180 / P185 QL200 / RC210	30" 762 mm	1/2" to 1" 12.7 to 25.4 mm	27.850" 707.4 mm	31.810" 808.0 mm
ORB813	P240 RC300	32" 813 mm	1/2" to 1" 12.7 to 25.4 mm	29.850" 758.2 mm	33.810" 858.8 mm
ORB864	P240 / C330 RC300	34" 864 mm	1/2" to 1" 12.7 to 25.4 mm	31.850" 809.0 mm	35.810" 909.6 mm
ORB914	P240 / C330 RC300	36" 914 mm	1/2" to 1" 12.7 to 25.4 mm	33.800" 858.5 mm	37.960" 964.2 mm
ORB1067	C330 RC300	42" 1067 mm	1/2" to 1" 12.7 to 25.4 mm	39.806" 1011.1 mm	43.810" 1112.8 mm
ORB1219	C330	48" 1219 mm	1/2" to 1" 12.7 to 25.4 mm	45.731" 1161.6 mm	49.810" 1265.2 mm

Casing specification required upon placement of order. All sizes are nominal. Other sizes may be available upon request.

* Ring Bit OD can be configured for specific needs.

